

Preis / Ersatzteilpreislise

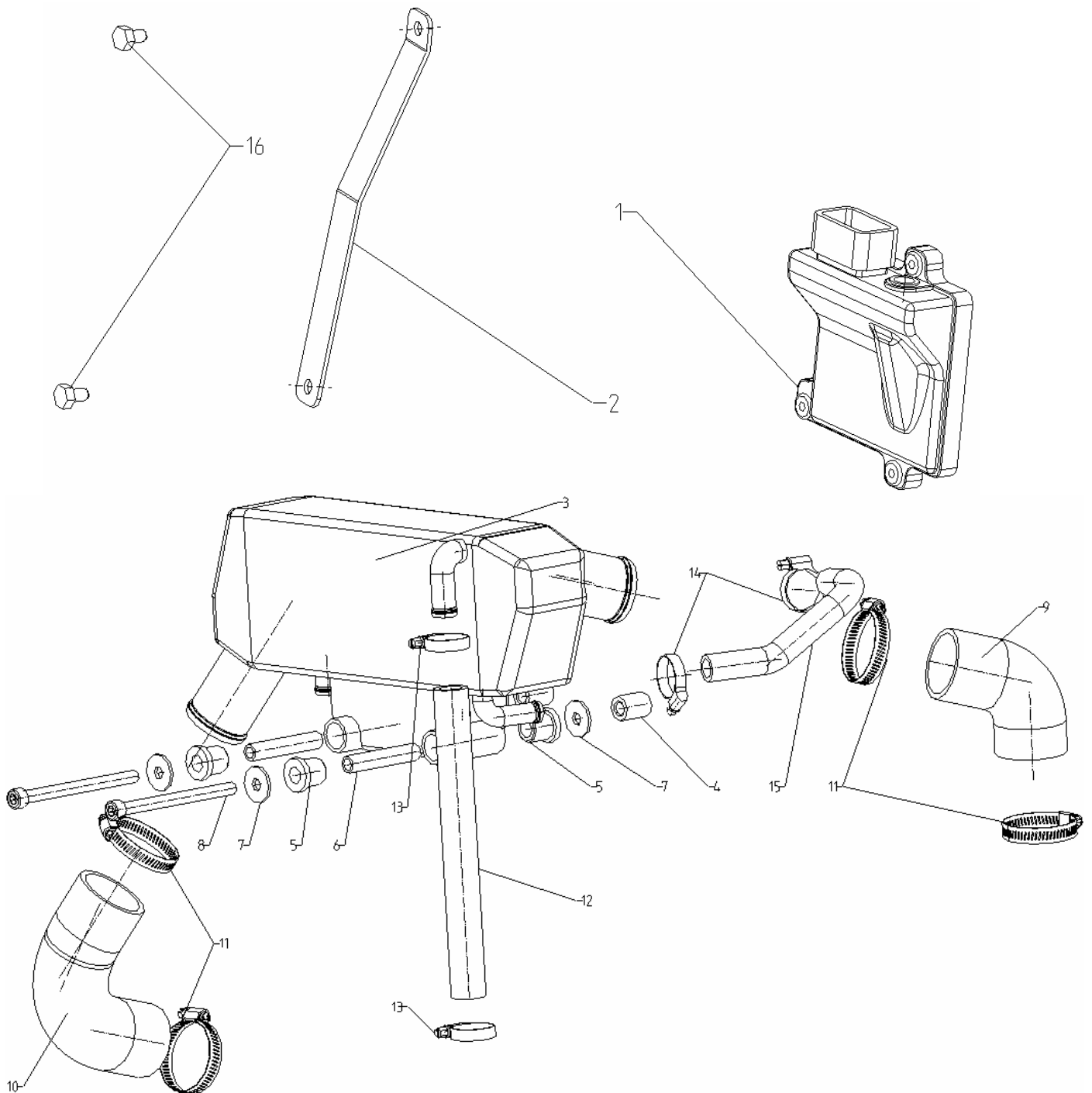
Raceparts S4

Part/Spare parts price list

Raceparts



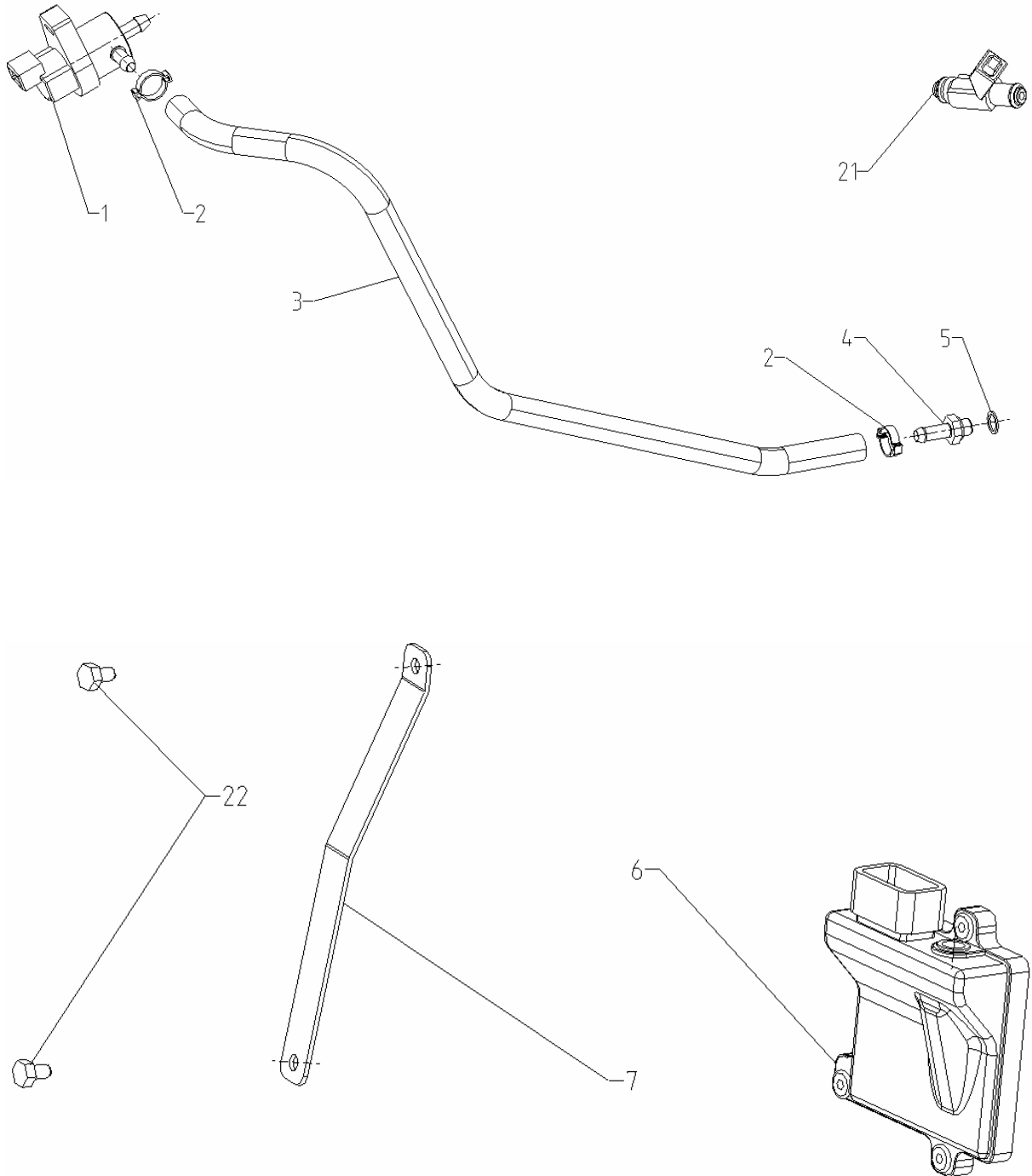
Power Kit 140 MJ2006/07 (BS1)

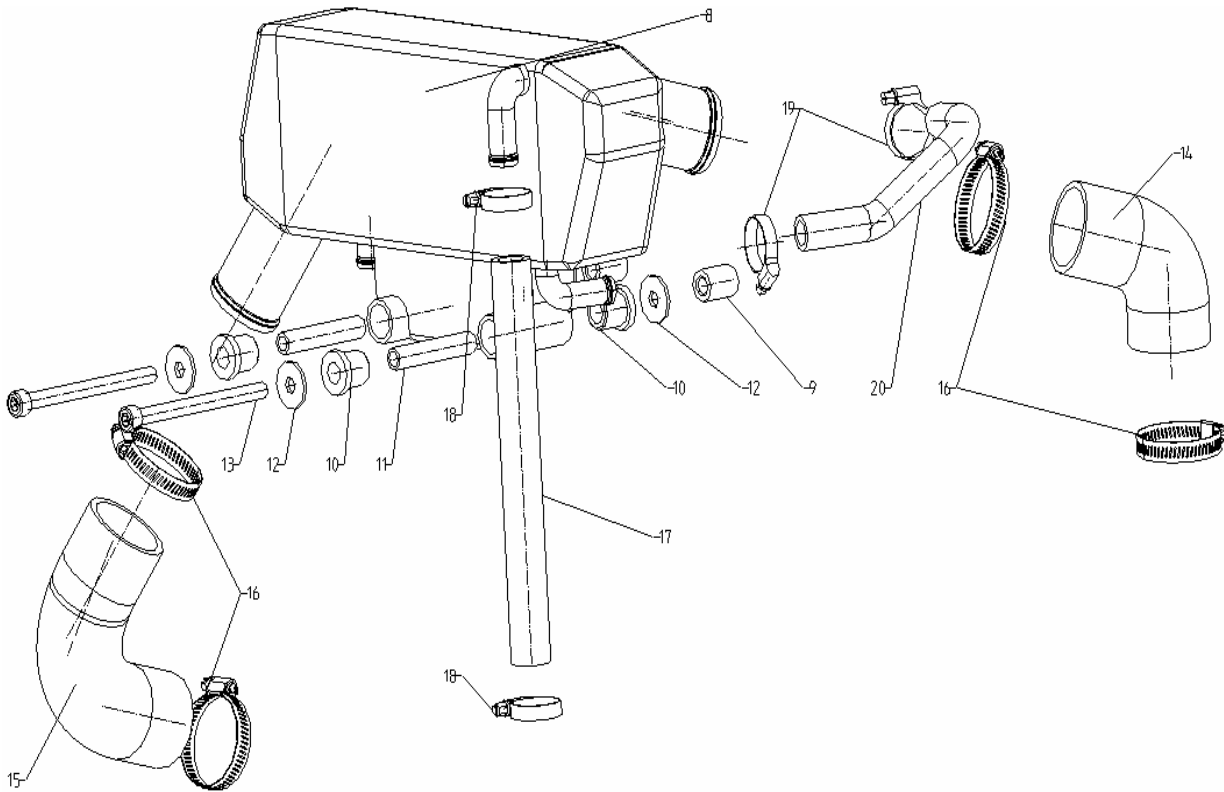


Ref	Teilenr./Partnr.	Bezeichnung	Description	Price in €
	HSR01_20_00_000	Power Kit 140 Set	Power Kit 140 set	2441,79
1	HSR00_20_01_000	ECU gelb	ECU yellow	1100,00
* 2	HSR01_05_04_114	Halter für Drosselklappe	Bracket fot throttle body	40,70
3	HSR01_20_01_008	Ladeluftkühler 7reihig	Intercooler 7rows	750,00
4	HSR00_20_01_001	Distanzhülsen	spacer	39,60
5	HSR00_20_01_024	Kunststofflager	Platic bushing	39,60
6	HSR00_20_01_025	Distanzrohr	Distance pipe	39,60
7	HSR00_99_01_067	Beilagscheibe D10 DIN9021	Washer D10 DIN9021	0,50
8	HSR00_99_01_021	Befestigungsschrauben M10/120	Screw M10/120	4,20
9	HSR00_20_01_022	Schlauch LLK warm	Hose intercooler hot	108,00
10	HSR00_20_01_021	Schlauch LLK kalt	Hose intercooler cold	56,00
11	HSR00_99_09_057	Schlauchschele D50-70	Clamp D50-70	11,55
12	HSR00_20_01_002	Wasserschlauch 19x4,5	Water hose 19x4,5	6,50
13	HSR00_99_09_053	Schlauchschele D20-32	Clamp D20-32	3,90
14	HSR00_99_09_054	Schlauchschele D12-20	Clamp D12-20	3,90
15	HSR00_05_05_116	Formschlauch D16x3.5	Hose D16x3.5	32,29
*16	HSR00_05_04_115	Schraube Zyl M6x10 A4/70	Bolt M6x10	1,08

*		Benötigt bei MJ 2006	Required for MJ 2006	-
---	--	----------------------	----------------------	---

Power Kit 160 MJ2006/07 (BS1)





©2011 Just GesmbH

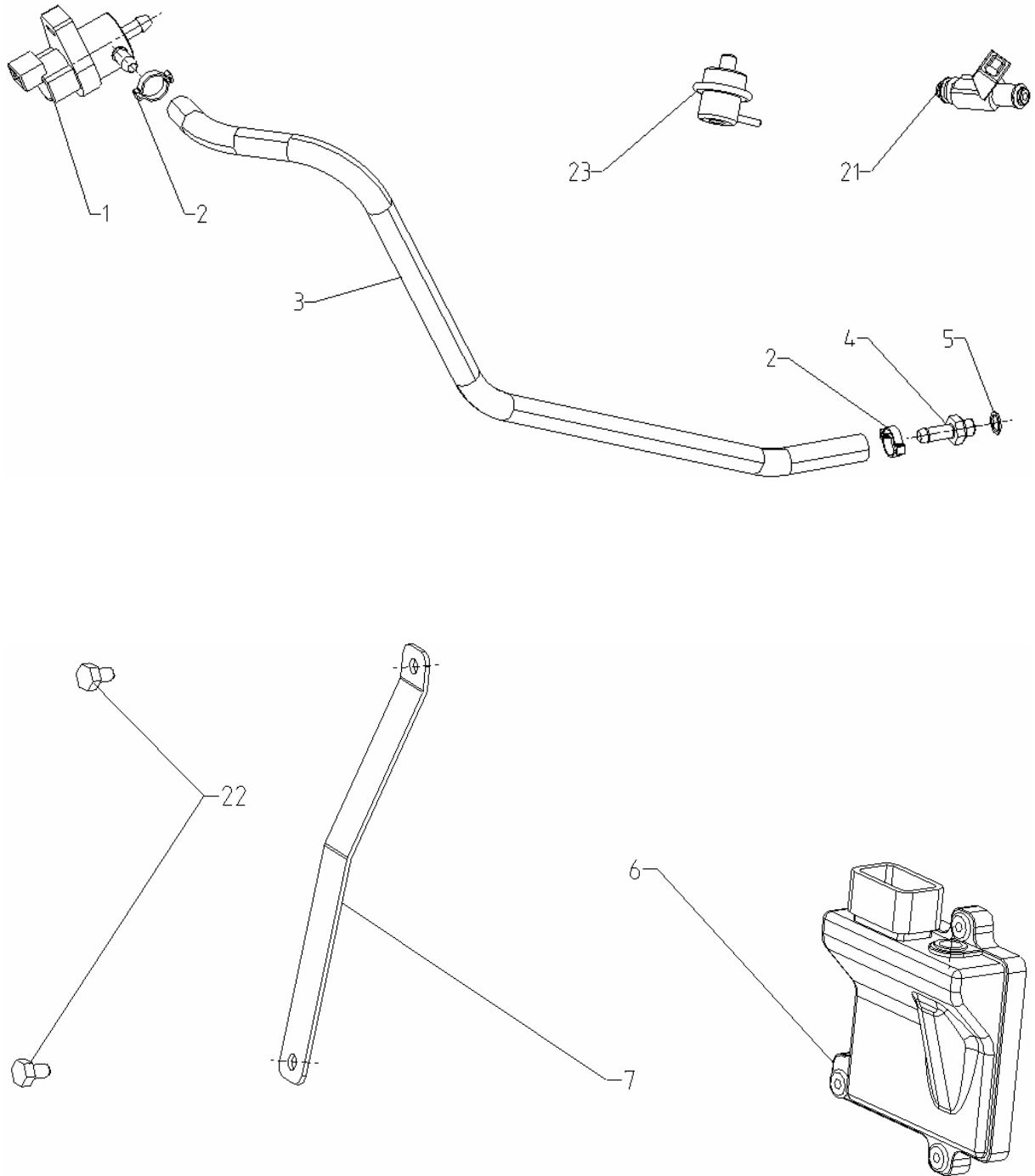
Ref	Teilenr./Partnr.	Bezeichnung	Description	Price in €
	HSR01_21_00_000	Power Kit 160 Set	Power Kit 160 set	3622,00
1	HSR00_21_01_007	Blow off Ventil	Blow off ventil	107,25
2	HSR00_99_09_043	Ötiker Klemme D14,6-16,8	Hose clamp D14,6-16,8	2,78
3	HSR00_09_01_006	Schlauch D8x3,5 (50cm)	Hose D8x3,5 (50cm)	10,89
4	HSR00_21_01_021	Anschluss Fitting	Connecting fitting	10,40
5	HSR00_21_01_020	Aludichtring	Sealing ring	0,94
6	HSR00_21_01_000	ECU rot	ECU red	1500,00
* 7	HSR01_05_04_114	Halter für Drosselklappe	Bracket for throttle body	40,70
8	HSR01_21_01_008	Ladeluftkühler 9reihig	Intercooler 9rows	850,00
9	HSR00_20_01_001	Distanzhülsen	spacer	39,60
10	HSR00_20_01_024	Kunststofflager	Platic bushing	39,60
11	HSR00_20_01_025	Distanzrohr	Distance pipe	39,60
12	HSR00_99_01_067	Beilagscheibe D10 DIN9021	Washer D10 DIN9021	0,50
13	HSR00_99_01_021	Befestigungsschrauben M10/120	Screw M10/120	4,20
14	HSR00_20_01_022	Schlauch LLK warm	Hose intercooler hot	108,00
15	HSR00_20_01_021	Schlauch LLK kalt	Hose intercooler cold	56,00
16	HSR00_99_09_057	Schlauchschele D50-70	Clamp D50-70	11,55
17	HSR00_20_01_002	Wasserschlauch 19x4,5	Water hose 19x4,5	6,50
18	HSR00_99_09_053	Schlauchschele D20-32	Clamp D20-32	3,90
19	HSR00_99_09_054	Schlauchschele D12-20	Clamp D12-20	3,90
20	HSR00_05_05_016	Formschlauch D16x3.5	Hose D16x3.5	32,29
21	HSR00_21_01_023	Einspritzventil 400G	Injector 400G	205,00
*22	HSR00_05_04_115	Schraube Zyl M6x10 A4/70	Bolt M6x10	1,08

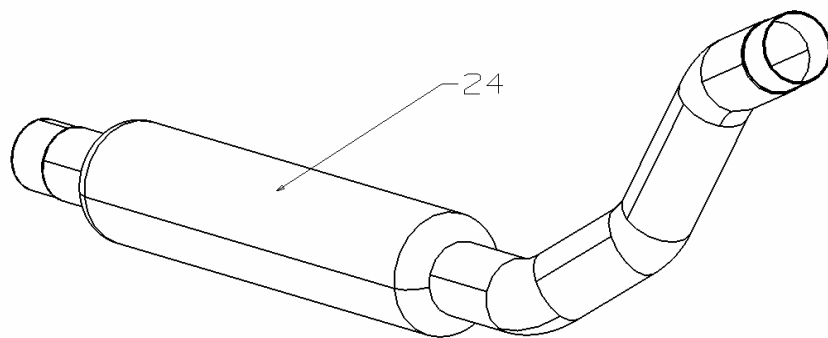
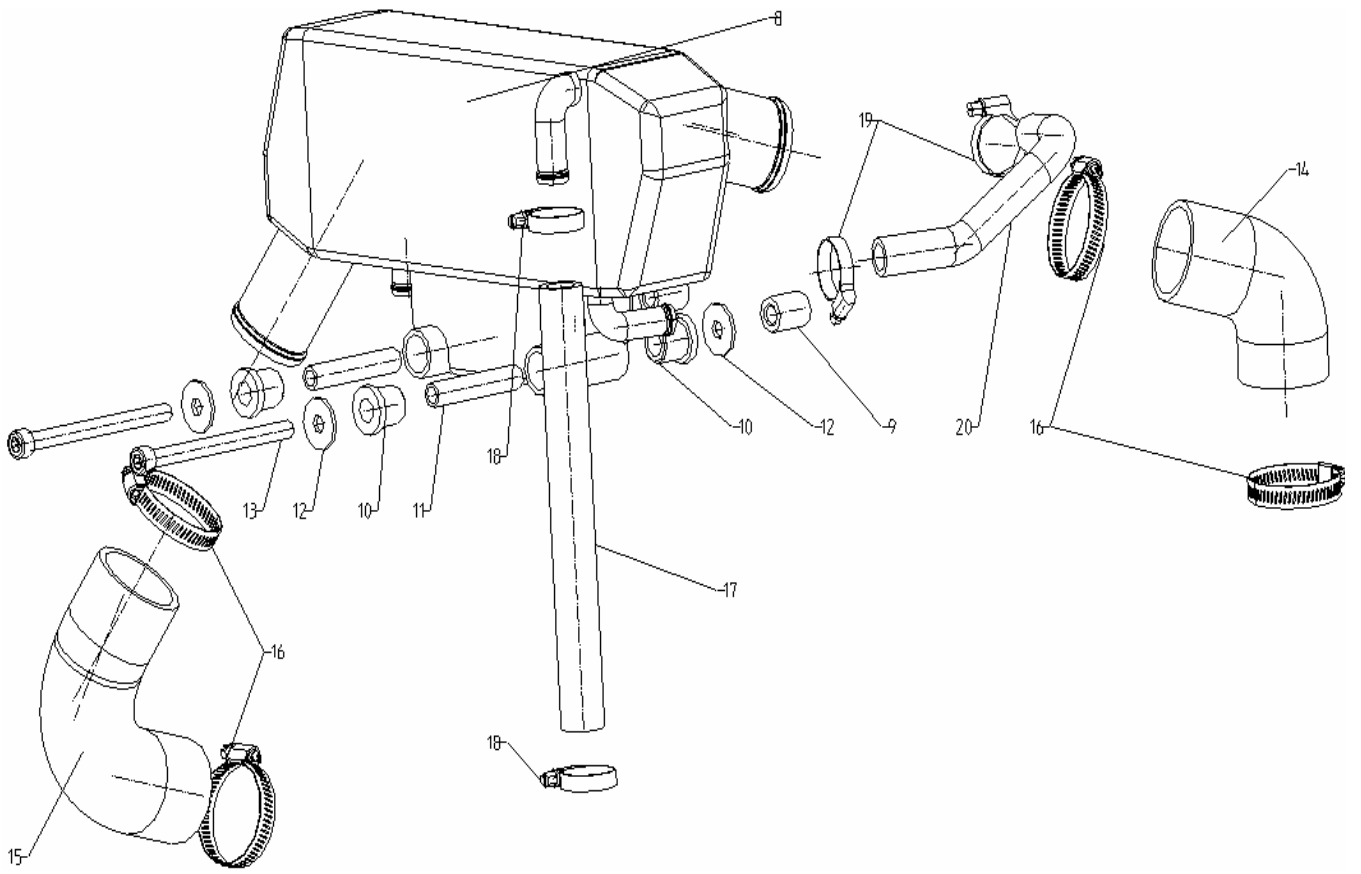
*	JUST strong Coupler	Empfohlen für 160 Kit statt Driveshaft	Recommended for 160 Kit instead of driveshaft	391,00-
---	-------------------------------------	--	---	---------

Alle Preise excl.MwSt

All prices excl.VAT

Power Kit 180 (BS1)





Ref	Teilenr./Partnr.	Bezeichnung	Description	Price in €
	HSR01_22_00_000	Power Kit 180 Set	Power Kit 180 set	4574,00
1	HSR00_21_01_007	Blow off Ventil	Blow off ventil	107,25
2	HSR00_99_09_043	Ötiker Klemme D14,6-16,8	Hose clamp D14,6-16,8	2,78
3	HSR00_09_01_006	Schlauch D8x3,5 (50cm)	Hose D8x3,5 (50cm)	10,89
4	HSR00_21_01_021	Anschluss Fitting	Connecting fitting	10,40
5	HSR00_21_01_020	Aludichtring	Sealing ring	0,94
6	HSR00_21_01_000	ECU grau	ECU grey	1950,00
* 7	HSR01_05_04_114	Halter für Drosselklappe	Bracket for throttle body	40,70
8	HSR01_21_01_008	Ladeluftkühler 9reihig	Intercooler 9rows	850,00
9	HSR00_20_01_001	Distanzhülsen	spacer	39,60
10	HSR00_20_01_024	Kunststofflager	Platic bushing	39,60
11	HSR00_20_01_025	Distanzrohr	Distance pipe	39,60
12	HSR00_99_01_067	Beilagscheibe D10 DIN9021	Washer D10 DIN9021	0,50
13	HSR00_99_01_021	Befestigungsschrauben M10/120	Screw M10/120	4,20
14	HSR00_20_01_022	Schlauch LLK warm	Hose intercooler hot	108,00
15	HSR00_20_01_021	Schlauch LLK kalt	Hose intercooler cold	56,00
16	HSR00_99_09_057	Schlauchschelle D50-70	Clamp D50-70	11,55
17	HSR00_20_01_002	Wasserschlauch 19x4,5	Water hose 19x4,5	6,50
18	HSR00_99_09_053	Schlauchschelle D20-32	Clamp D20-32	3,90
19	HSR00_99_09_054	Schlauchschelle D12-20	Clamp D12-20	3,90
20	HSR00_05_05_016	Formschlauch D16x3.5	Hose D16x3.5	32,29
21	HSR00_21_01_023	Einspritzventil 400G	Injector 400G	205,00
*22	HSR00_05_04_115	Schraube Zyl M6x10 A4/70	Bolt M6x10	1,08
23	HSR01_22_01_005	Benzindruckregler racing	Valve pressure regulator	112,00
	JUST strong Coupler	Empfohlen für 180 Kit statt Driveshaft set	Recommended for 180 Kit instead of driveshaft set	391,00

Kit Price is without Exhaust and Driveshaft set

*		Benötigt bei MJ 2006	Required for MJ 2006	-
---	--	----------------------	----------------------	---

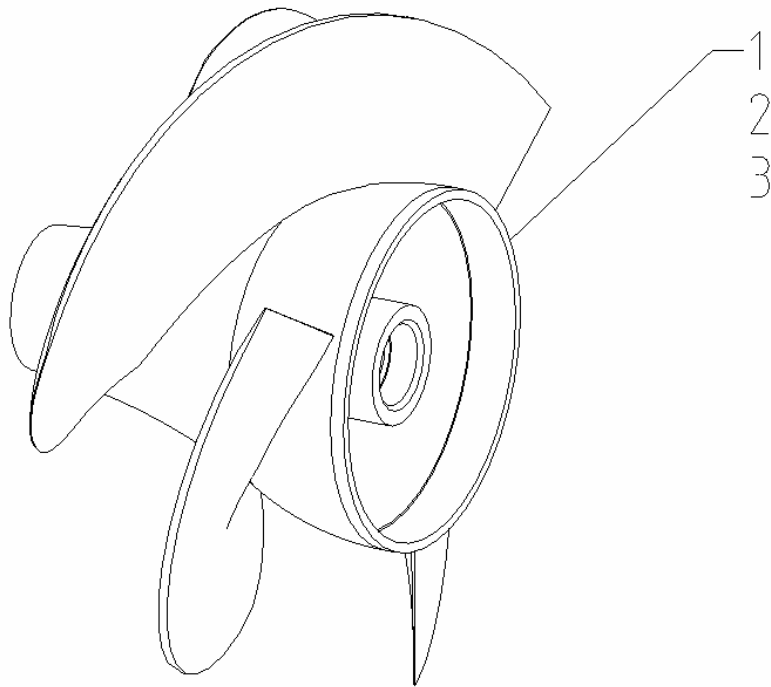
You can buy this parts separate

24	HSR00_20_01_035	Schalldämpfer racing	exhaust racing	386,00
25	HSR00_20_01_034	Driveshaft Set	Driveshaft Set	330,00



JUST strong coupler for Original S4 rubber.

Impeller

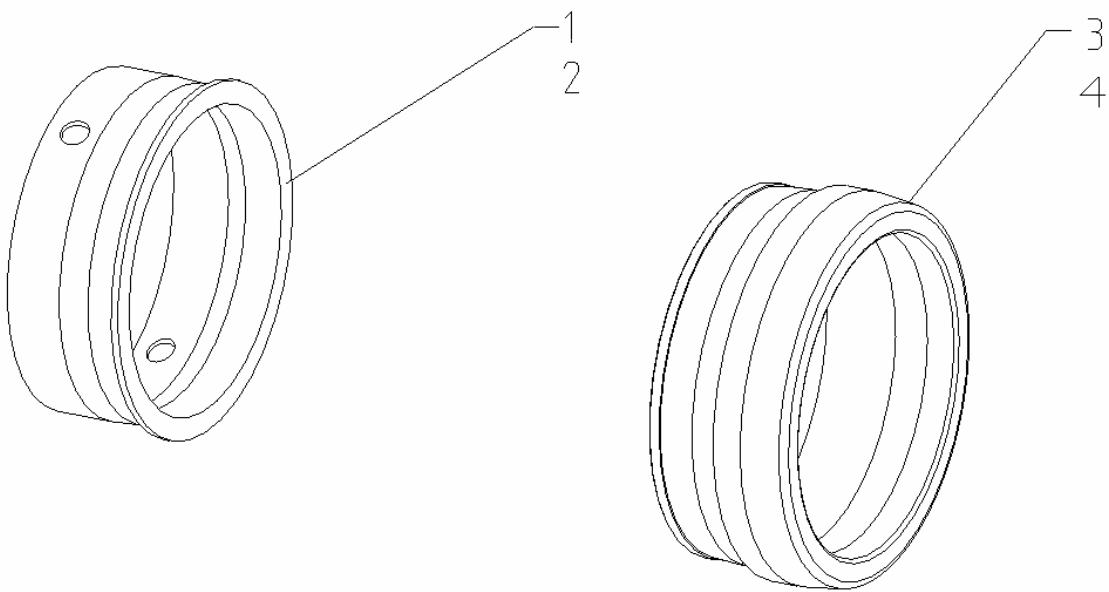


©2011 Just GesmbH

Ref	Teilenr./Partnr.	Bezeichnung	Description	Price in €
1	HSR00_20_01_003	Impeller D140 13/22	Impeller D140 13/22	320,00
2	HSR00_21_01_003	Impeller D140 14/23	Impeller D140 14/23	320,00
3	HSR00_21_01_022	Impeller D140 15/24	Impeller D140 15/24	320,00

Steuerringe

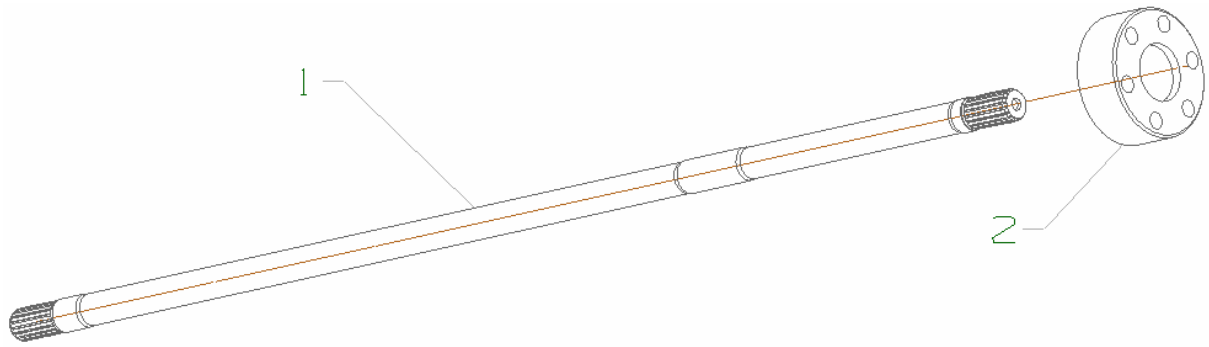
Nozzles



©2011 Just GesmbH

Ref	Teilenr./Partnr.	Bezeichnung	Description	Price in €
1	HSR00_20_01_005	Düsenring D81 schwarz	Bump nozzle D81 black	65,00
2	HSR00_21_01_005	Düsenring D82 rot	Bump nozzle D82 red	65,00
3	HSR00_20_01_006	Steuerdüsenring D84 schwarz	Steering nozzle D84 black	65,00
4	HSR00_21_01_006	Steuerdüsenring D85 rot	Steering nozzle D85 red	65,00

Driveshaft



©2011 Just GesmH

Ref	Teilenr./Partnr.	Bezeichnung	Description	Price in €
1	HSR00_20_01_032	Driveshaft 812mm	Driveshaft 812mm	335,00
2	HSR00_20_01_033	Kupplungsstueck	coupler	61,00